

TECHNICAL DATA:

SPARK	BUGGY CAR	STONE CAR	CAMILLA HORSE
Length: 190 cm Height: 90 cm Width: 100 cm Weight: 100 kg Power: 220V/120W	Length: 185 cm Height: 90 cm Width: 100 cm Weight: 100 kg Power: 220V/120W	Length: 140 cm Height: 100 cm Width: 140 cm Weight: 100 kg Power: 220V/120W	Length: 180 cm Height: 100 cm Width: 150 cm Weight: 120 kg Power: 220V/120W

BUYER:

.....

.....

DATE:

SER. NUMBER:

SELLER:

MAGIC PLAY KIDDIE RIDE TERMS OF WARRANTY

Magic Play Sp. z o.o. warrants that the MAGIC PLAY KIDDIE RIDE will be free from defects in electronics/ motherboard, coin acceptor and the mechanical / for a period of one year from the date of shipment. Warranty terms do not cover parts not included above such as: light bulbs, damages to light covers or the body of a kiddie ride.

Should the product prove defective during the warranty period, Magic Play, at its option, shall:

1. Repair the defective part by means of telephone support or depot service at no charge for parts of labor.
2. Replace the defective part with a comparable product which may be new or refurbished.

Provided that

1. Magic Play is informed of the defect immediately after it occurred. The faulty part should she dispatched to Magic Play as soon as possible.
2. Magic Play diagnoses the defects were not caused by improper use, neglect, unauthorized modifications, repair, setup or testing.

Only parts recommended and approved by Magic Play are covered by Magic Play Terms of Warranty.

UNDER NO CIRCUMSTANCES SHALL MAGIC PLAY SP. Z O.O. BE HELD RESPONSIBLE FOR LOSSES IN PROFIT, USAGE OR ACCIDENTAL SERIOUS DAMAGE TO THE MACHINE !



**USER'S
MANUAL**

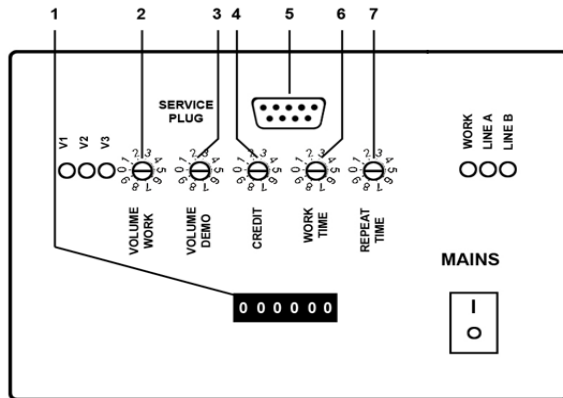
**SPARK
BUGGY CAR
CAMILLA HORSE
STONE CAR**



SETTINGS:

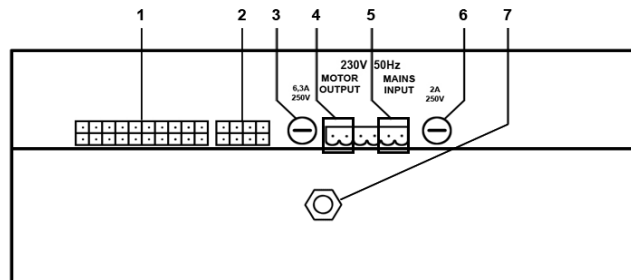
You can easily access the control panel by opening the door near the coin mechanism (Spark, Stone Car and Buggy Car) or by opening the side door (Camilla Horse).

FRONT PANEL



1. Credits counter
2. Set sound volume during ride
3. Set sound volume during demo mode
4. Set how many coins make one credit
5. Service link for sound updates
6. Set length of a single ride (from 0,5 to 4,5 min., every 0,5 min.)
7. Set time between demos (from 0 to 9 min., co 1 min.)

BACK PANEL



1. Sound and coin acceptor plug
2. Lights socket
3. Lights fuse
4. Engin power supply socket
5. Power supply socket
6. System and engine fuse
7. Ground

UPDATES AND MODIFICATIONS:

All updates and modifications shall be performed by MAGIC PLAY authorized staff through SERVICE LINK FOR SOUND UPDATES (item 5 on diagram)

LIGHTS:

Depending of the model version Magic Play kiddie rides uses two types of decoration lights:

- a. 12V - 3-5W, E-14
- b. 12V - 3-5W, E-10

MAINTENANCE:

- a. Machine does not start, no power:
 - check power cord and power In Your power supply unit,
 - check the connection sockets/plugs
 - check and replace if necessary system and/or engine fuses
- b. There is no sound:
 - check the sond volume. Increase if necessary.
- c. The lights are not working:
 - check the light bulbs
 - check the wire connections to the lights
 - check and replace if necessary lights fuse

DECLARATION OF CE CONFORMITY:

We hereby declare that: steel frame, fiberglass casing, lights and electronics used in the production of Magic Play KIDDIE RIDE CAR machines conform to the following norms and regulations:

73/23/EEC-PL, 93/68/EEC-PL, 89/336/EEC-PL, 91/263/EEC-PL,
92/31/EEC-PL, 93/68/EEC-PL, PN-EN 50106:2000/A2:2002,
PN-EN 60335-1:2004, PN-EN60335-2-82:2004(U),
PN-EN 61000-3-3:1997/A1:2002(U)

KALISZ, 2006-04-03

Jerolim Fort